

The HILO

- arguably the best craft table.... ever!

The New Horn HILO – the table that's taking the Sewing, Patchwork & Quilting market by storm

Something that we've been asked for over and over again in the past is a large work surface that has the ability to have its height adjusted. Well its taken its time and after pain stacking development.... its now here! From first viewing what's immediately obvious is the quality and strength of its build, it has the same 1" inch thick table top as the new *STELLA* this gives true support & strength when heavy duty use is required and it has a durable ABS knock resistant edge to put up with years of use. It's finished with a hard wearing, fresh and tasteful Beech veneer, the main construction is of strong steel covered in a home friendly cream anti- bacterial powder coating to keep it clean & sterilised and its fitted with easy mobile lockable wheels, which again are of a commercial grade finish. It is capable of adjusting from a comfortable sitting height of 70.5cm to a full 97.5cm standing height (approx), the overall work area is 102cm (40") x 152.5cm (60") something that will impress even the mightiest of its users. The height is adjusted simply by turning a crank handle which is situated on the side of the table, this crank adjustment has a high turn ratio which allows the user to smoothly and easily raise or lower the table even whilst weight is on it, be it a light project or even with heavier items such as sewing machine equipment. The hand crank system is simple but very effective, fool-proof and extremely reliable with far less to go wrong, this will ensure years of trouble free service for which Horn has become renowned.

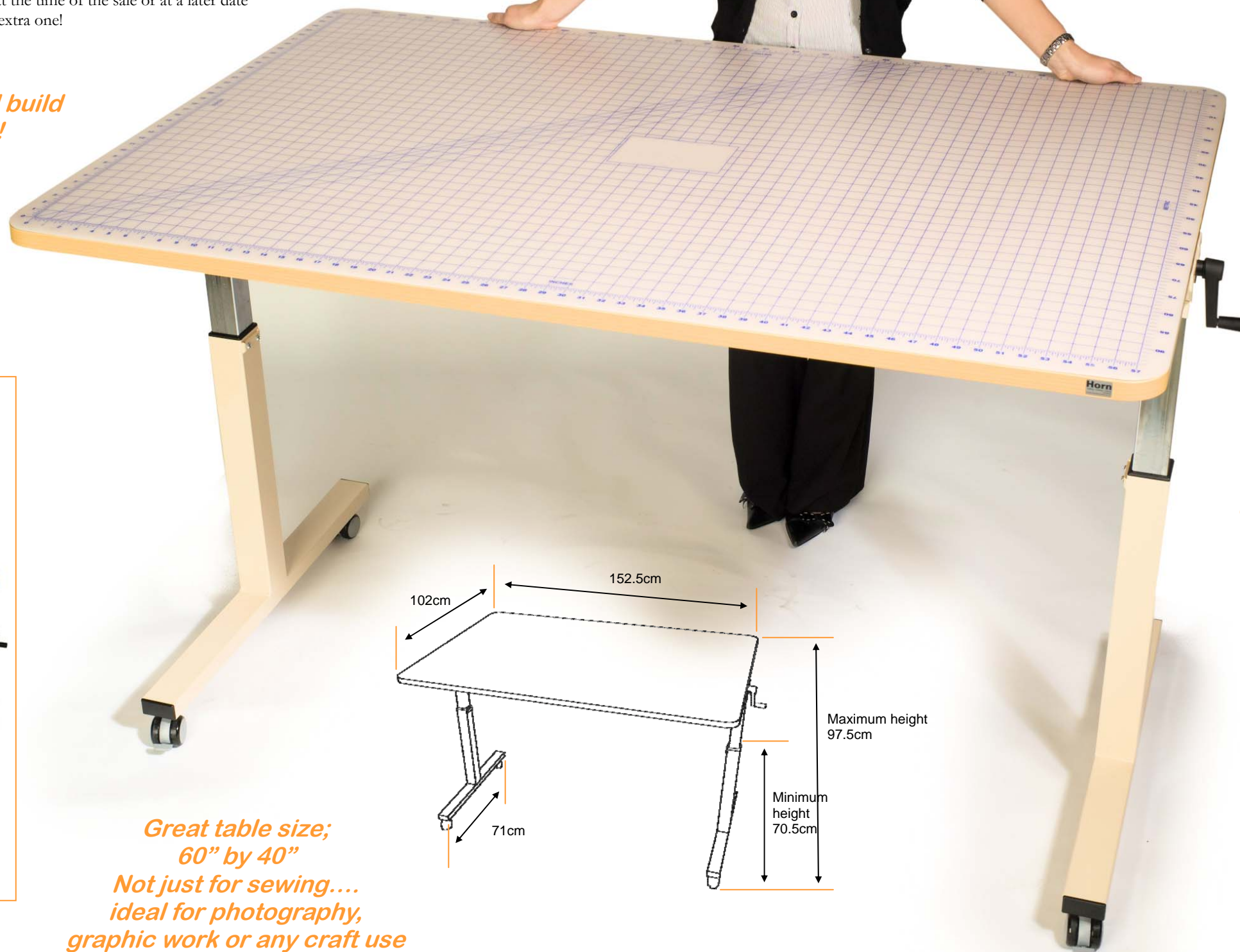
But what if space is a problem? No problem another great feature of the HILO is that it allows the table to tilt upwards out of the way so when not needed it can give back valuable floor space to your room. Once up it can be used as a handy design wall. As an added extra there is also available a tailor made hobby/cutting mat that can be used for rotary cutting and will accept pins to hold your projects in place. This can be purchased at the time of the sale or at a later date depending on your needs or of course if you'd like an extra one!

Unrivalled freedom & Comfort.
No more kneeling, bending or stooping
.....for anyone



It raises and lowers by the turn of a handle. What could be simpler?

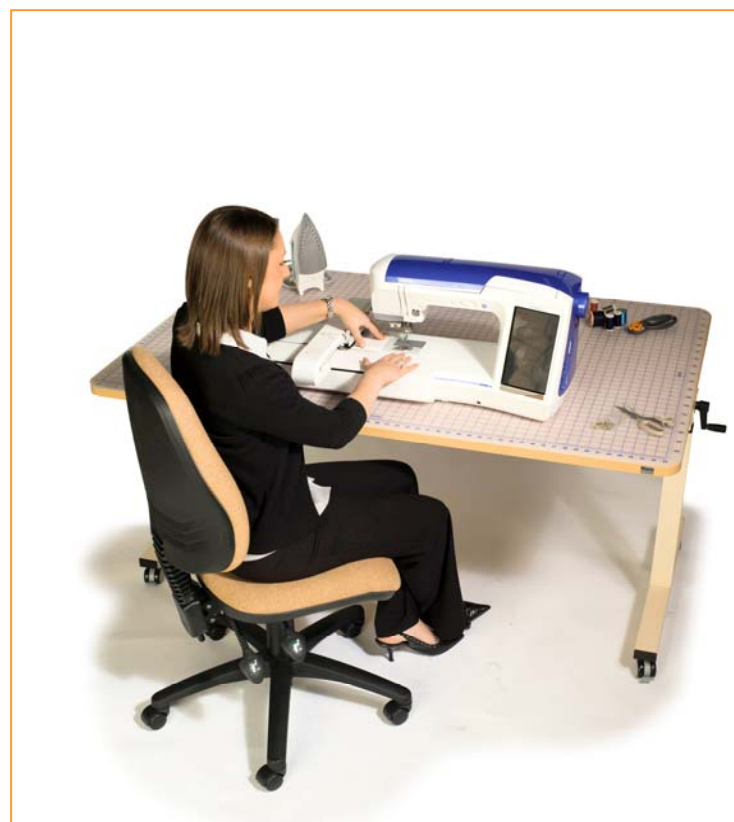
Commercial build quality!



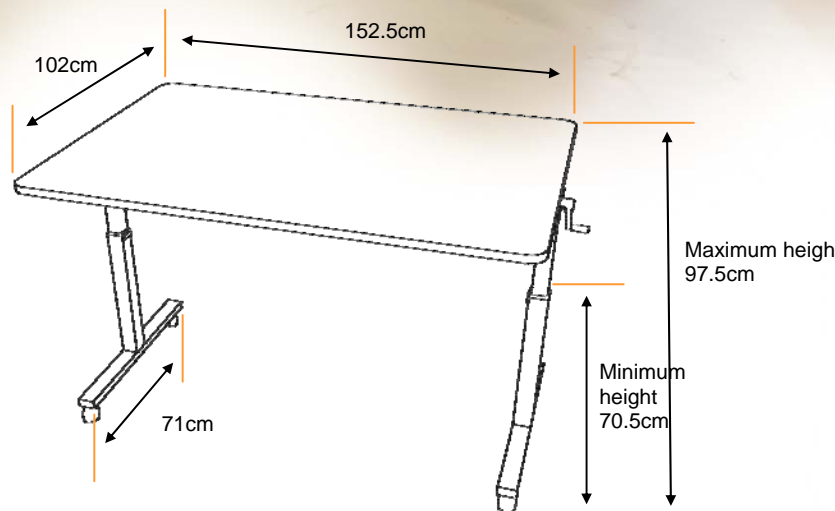
The HILO will raise to your perfect height. Pictured here with the optional Horn Cutting/ Craft mat



The HILO conveniently folds up out of the way when not in use

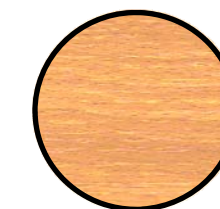


The HILO will easily lower to your sitting height and gives huge leg room



Great table size; 60" by 40"
Not just for sewing.... ideal for photography, graphic work or any craft use

Colour Chart



Beech